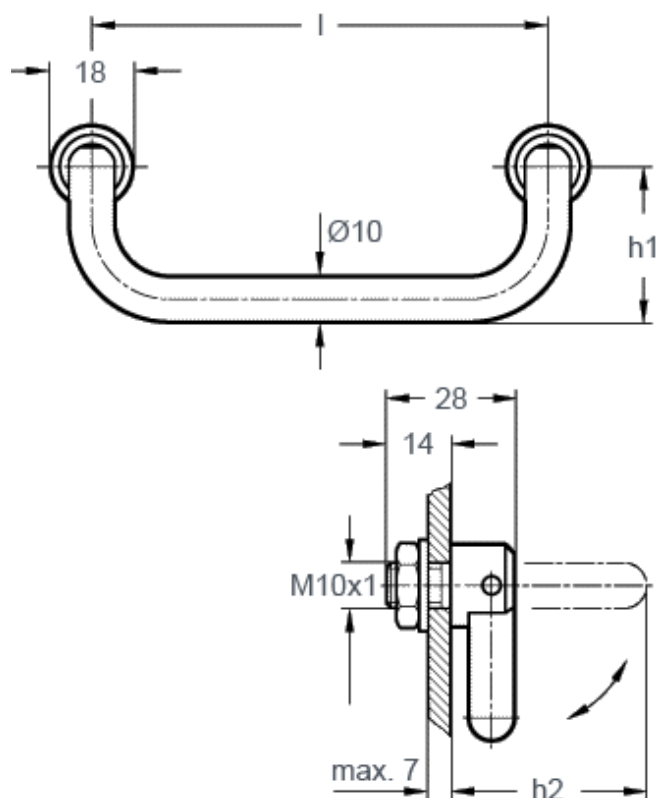


Article number: 201690511

Description: E+G Folding handle GN 425.2-100-NI
St. steel

Measures



$h_1 = 34$

$h_2 = 44$

$l = 100$